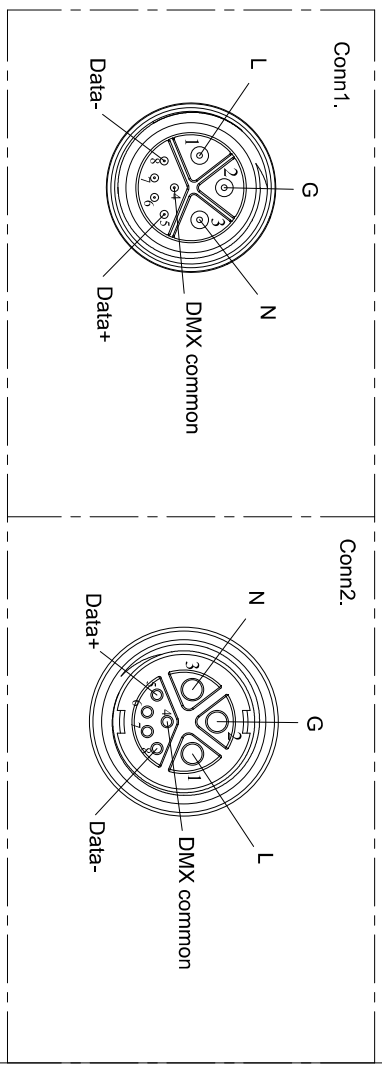


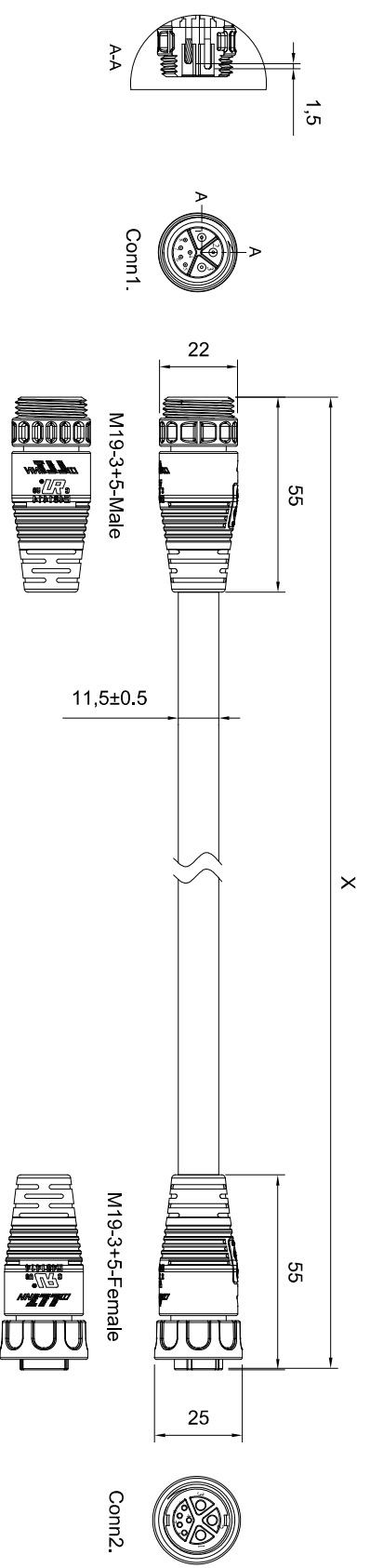
- Drawing applies to :**
- MAR-91700004 POWER DMX CABLE PD PD 0.2M EU (X=0.2m)
 - MAR-91700005 POWER DMX CABLE PD PD 1M EU (X=1m)
 - MAR-91700006 POWER DMX CABLE PD PD 2.5M EU (X=2.5m)
 - MAR-91700007 POWER DMX CABLE PD PD 5M EU (X=5m)
 - MAR-91700008 POWER DMX CABLE PD PD 10M EU (X=10m)

- Note:**
- Ingress protection: IP67
 - Working voltage: 300VAC
 - Working current: 13A power/1.5A data
 - Conductor Resistance Power Wires: <14,6 ohm / km
 - Conductor Resistance Data Wires: <120 ohm / km
 - Overvoltage Withstand Power Wires: 1600VAC/1 min
 - Temperature Range: -30°C to +90°C
 - Sunlight Resistant
 - Connector Insert: Nylon Plastic
 - Connector Contacts: Gold Plated Brass
 - Connector Over mold: Nylon Plastic
 - Connector O-ring: Silicon
 - Cable Jacket: Rubber
 - Minimum Bending Radius: 60mm
 - ROHS & REACH compliant
 - UL compliant



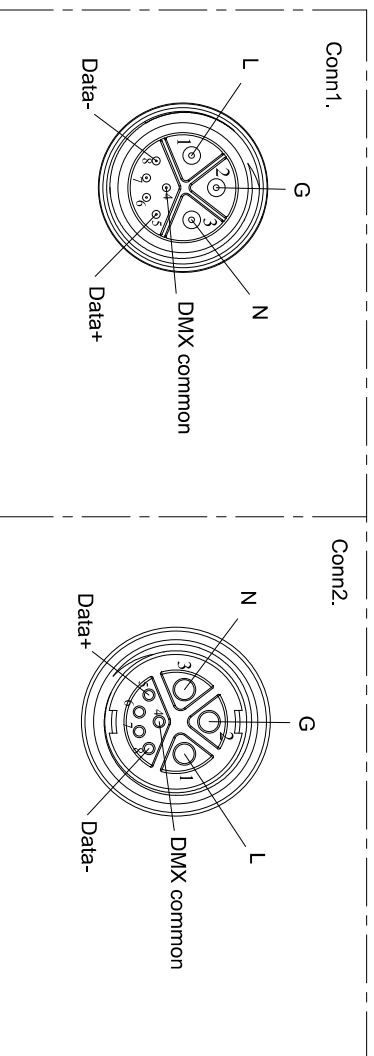
1	L	Brown ≥1.5mm2 / 15AWG, Rubber
2	G	Yellow/Green ≥1.5mm2 / 15AWG, Rubber
3	N	Blue ≥1.5mm2 / 15AWG, Rubber
4	DMX common/ Shield	Braid
5	Data+	Red ≥0.2mm2 / 24AWG, PVC
6	No connection for wire	-
7	No connection for wire	-
8	Data-	Grey ≥0.2mm / 24AWG, PVC

© 2021 HARMAN Professional Denmark A/S PROPRIETARY AND CONFIDENTIAL PROPERTY OF HARMAN INTERNATIONAL COMPANY PUBLISHED WITHOUT WRITTEN HARMAN APPROVAL		RESTRICTION OF HAZARDOUS SUBSTANCES ALL MATERIALS USED IN THIS PART MUST BE ROHS COMPLIANT.		DIMENSIONS SHOWN ARE FOR REFERENCE AND INSPECTION ONLY. REFER TO CAD MODEL PROVIDED WITH THE DRAWING FOR OVERALL DEFINITION OF PART GEOMETRY.	
Material	General linear tolerance	General angular tolerance	General geometrical tolerance	Color	Projected number
Material	General linear tolerance	General angular tolerance	General geometrical tolerance	Color	Projected number
Material	General linear tolerance	General angular tolerance	General geometrical tolerance	Color	Projected number
TITLE (Model in view) Martin HARMAN Professional Denmark A/S DK 8200 Arhus N		NO. See above SCALE See above UNIT mm DO NOT SCALE DRAWING		REV A	SHEET 1 OF 1
POWER DMX CABLE PD PD EU					



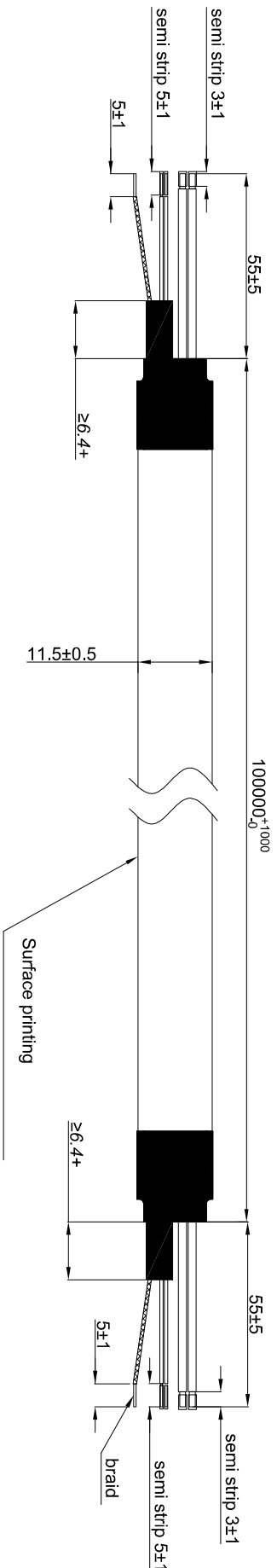
- Drawing applies to :**
- MAR-91700010 POWER DMX CABLE PD PD 0.2M US (X=0.2m)
 - MAR-91700011 POWER DMX CABLE PD PD 1M US (X=1m)
 - MAR-91700012 POWER DMX CABLE PD PD 2.5M US (X=2.5m)
 - MAR-91700013 POWER DMX CABLE PD PD 5M US (X=5m)
 - MAR-91700014 POWER DMX CABLE PD PD 10M US (X=10m)

- Note:**
- Ingress protection: IP67
 - Working voltage: 300VAC
 - Working current: 13A power/1.5A data
 - Conductor Resistance Power Wires: <14,6 ohm / km
 - Conductor Resistance Data Wires: <120 ohm / km
 - Overvoltage Withstand Power Wires: 1600VAC/1 min
 - Temperature Range: -30°C to +90°C
 - Sunlight Resistant
 - Connector Inset: Nylon Plastic
 - Connector Contacts: Gold Plated Brass
 - Connector Over mold: Nylon Plastic
 - Connector O-ring: Silicon
 - Cable Jacket: Rubber
 - Minimum Bending Radius: 60mm
 - RoHS & REACH compliant
 - UL compliant



1	L	Black ≥1.5mm ² / 15AWG, Rubber
2	G	Yellow/Green ≥1.5mm ² / 15AWG, Rubber
3	N	White ≥1.5mm ² / 15AWG, Rubber
4	DMX common/ Shield	Braid
5	Data+	Red ≥0.2mm ² / 24AWG, PVC
6	No connection for wire	-
7	No connection for wire	-
8	Data-	Grey ≥0.2mm ² / 24AWG, PVC

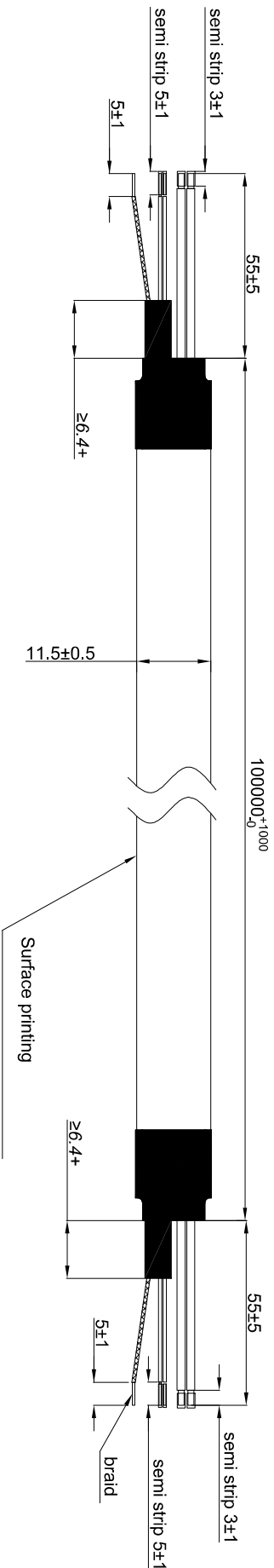
© 2021 HARMAN Professional Denmark A/S PROPRIETARY AND CONFIDENTIAL PROPERTY OF HARMAN INTERNATIONAL COMPANY PUBLISHED WITHOUT WRITTEN HARMAN APPROVAL		ROHS RESTRICTION OF HAZARDOUS SUBSTANCES ALL MATERIALS USED IN THIS PART MUST BE ROHS COMPLIANT. SUPPLIER SHALL PROVIDE A CERTIFICATE OF ROHS COMPLIANCE WITH THE FIRST ARTICLE.	
Material	General linear tolerance	General angular tolerance	General geometrical tolerance
Material	General linear tolerance	Surface treatment	Color
Material	General linear tolerance	Surface treatment	Color
DIMENSIONS SHOWN ARE FOR REFERENCE AND INSPECTION ONLY. REFER TO CAD MODEL PROVIDED WITH THE DRAWING FOR OVERALL DIMENSION DEFINITION OR PART SPECIMEN.		NO. See above	SCALE See above
Martin HARMAN Professional Denmark A/S DK 8200 Aarslev N		NO. See above	SCALE See above
POWER DMX CABLE PD PD US		UNIT mm	DO NOT SCALE DRAWING
		REV A	SHEET 1 OF 1



- Note:**
- Ingress protection: IP67
 - Working voltage: 300VAC
 - Working current: 13A power/1.5A data
 - Conductor Resistance Power Wires: <14.6 ohm / km
 - Conductor Resistance Data Wires: <120 ohm / km
 - Overvoltage Withstand Power Wires: 1600VAC/1 min
 - Temperature Range: -30°C to +90°C
 - Sunlight Resistant
 - Cable Jacket: Rubber
 - Minimum Bending Radius: 60mm
 - RoHS & REACH compliant
 - UL compliant

1	L	Brown≥1.5mm2 / 15AWG, Rubber
2	G	Yellow/Green ≥1.5mm2 / 15AWG, Rubber
3	N	Blue ≥1.5mm2 / 15AWG, Rubber
4	DMX common/ Shield	Braid
5	Data+	Red ≥0.2mm2 / 24AWG, PVC
6	Data-	Grey ≥0.2mm2 / 24AWG, PVC

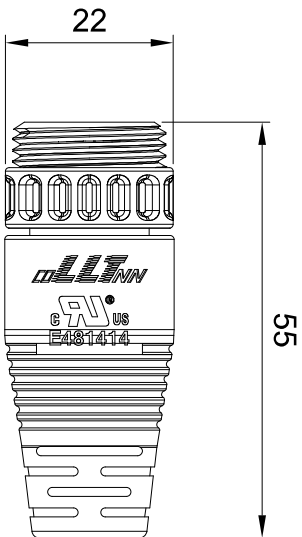
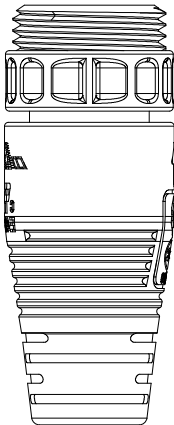
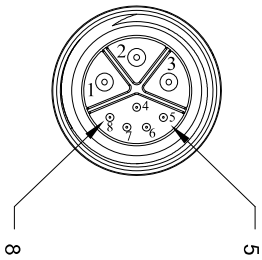
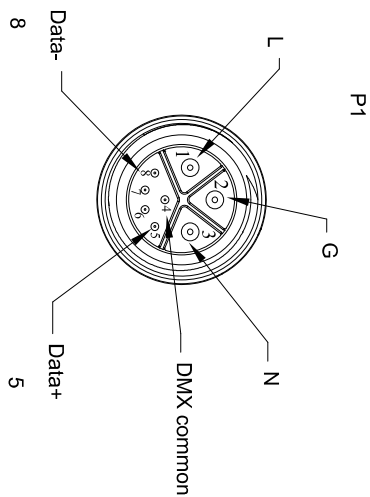
© 2023 HARBAN Professional Denmark A/S PROJECTS AND CONCEPTS IN THE FIELD OF ELECTRICAL AND MECHANICAL ASSEMBLY FABRICATION WITHOUT HARBAN APPROVAL.		Material General linear tolerance General angular tolerance		FIRST PART PROJECTION		HARBAN Professional Denmark A/S DK-6500 Maribo N	
RESTRICTION OF HAZARDOUS SUBSTANCES ALL MATERIALS USED IN THIS PART MUST BE ROHS COMPLIANT.		Surface treatment Color		NO. MAR-91700009 POWER DMX CABLE 100M ROLL EU		REV A	
SUPER COMPLIANCE WITH THE ROHS DIRECTIVE FOR OVERALL DEFINITION OF PART GEOMETRY.		TOLERANCE ZONES AND REFERENCE LINE INTERFERING ONLY APPLICABLE TO DIMENSIONS WITH TOLERANCE FOR OVERALL DEFINITION OF PART GEOMETRY.		TITEL (Scale in view) TAKKANEN		DO NOT SCALE SHEET DRAWING	
				SIZE A4		SHEET 1 OF 1	



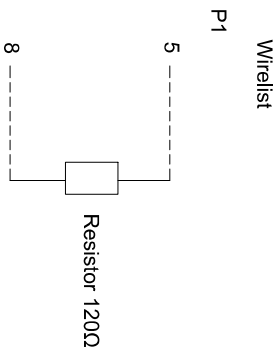
- Note:**
- Ingress protection: IP67
 - Working voltage: 300VAC
 - Working current: 13A power/1.5A data
 - Conductor Resistance Power Wires: <14.6 ohm / km
 - Conductor Resistance Data Wires: <120 ohm / km
 - Overvoltage Withstand Power Wires: 1600VAC/1 min
 - Temperature Range: -30°C to +90°C
 - Sunlight Resistant
 - Cable Jacket: Rubber
 - Minimum Bending Radius: 60mm
 - RoHS & REACH compliant
 - UL compliant

1	L	Black ≥1.5mm ² / 15AWG, Rubber
2	G	Yellow/Green ≥1.5mm ² / 15AWG, Rubber
3	N	White ≥1.5mm ² / 15AWG, Rubber
4	DMX common/ Shield	Braid
5	Data+	Red ≥0.2mm ² / 24AWG, PVC
6	Data-	Grey ≥0.2mm ² / 24AWG, PVC

© 2023 HARTMAN Professional Denmark A/S PROTECTIVE AND CONDUCTIVE PROPERTIES OF MATERIALS AND COMPONENTS IN THE PRODUCT OF THIS DRAWING ARE SUBJECT TO HARTMAN APPROVAL.		ROHS RESTRICTION OF HAZARDOUS SUBSTANCES ALL MATERIALS USED IN THIS PART MUST BE ROHS COMPLIANT. SUPPLY QUANTITIES OF ROHS COMPLIANCE WITH THE FIRST ARTICLE	
Material	General linear tolerance	FIRST LAST PROJECTION	
General angular tolerance	General geometrical tolerance	Surface treatment	
General linear tolerance	Independence of dimensions for reference	Order	NO. MAR-91700016 POWER DMX CABLE 100M ROLL US
General linear tolerance	ONLY APPLICABLE TO DIMENSIONS FOR OVERALL DEFINITION OF PART GEOMETRY.		TITLE (Scale in view) TAKKANAN HARTMAN Professional Denmark A/S DK-6500 Maribo N
SIZE A4	SCALE 1MM	DO NOT SCALE	REV A
	UNIT MM	DRAWING	SHEET 1 of 1

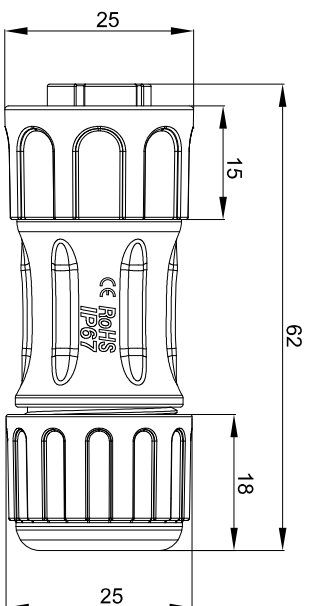
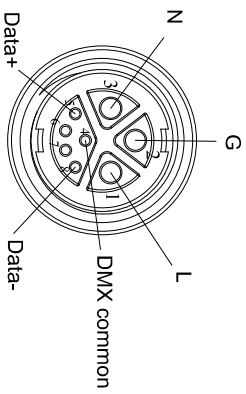


M19-3+5-Male

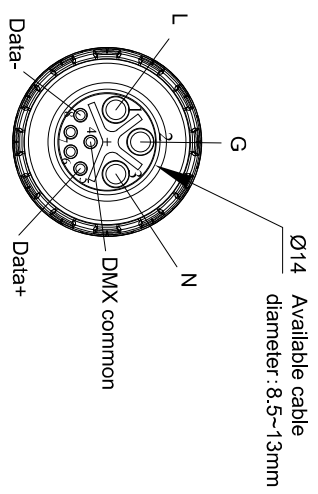


- Note:
- Ingress protection: IP67
 - Temperature Range: -30°C to +90°C
 - Working voltage: 300V AC
 - Working current: 20A power / 3A data
 - Connector Insert: Nylon Plastic
 - Connector Contacts: Gold Plated Brass
 - Connector Over mold: Nylon Plastic
 - Connector O-ring: Silicon
 - RoHS & REACH compliant
 - UL Compliant

© 2021 HARMAN Professional Denmark A/S PROPRIETARY AND CONFIDENTIAL PROPERTY OF HARMAN INTERNATIONAL COMPANY PUBLISHED WITHOUT WRITTEN HARMAN APPROVAL		Material General linear tolerance General angular tolerance General geometrical tolerance		FIRST ANGLE PROJECTION 		NO. MAR-91700015 END TERMINATION CAP PD		Martin HARMAN Professional Denmark A/S A4 DK 8200 Aarslev N			
RESTRICTION OF HAZARDOUS SUBSTANCES ALL MATERIALS USED IN THIS PART MUST BE ROHS COMPLIANT. SUPPLIER SHALL PROVIDE A CERTIFICATE OF ROHS COMPLIANCE WITH THE FIRST ARTICLE.		Color Project number		Surface treatment Project number		SIZE A4	SCALE	UNIT mm	DO NOT SCALE DRAWING	REV A	SHEET 1 OF 1

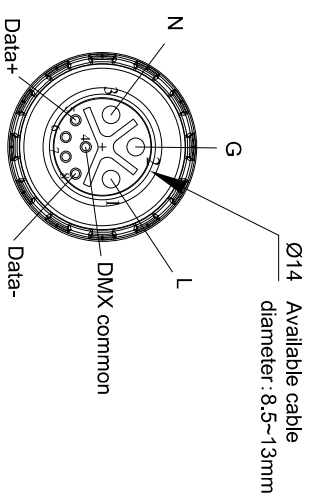
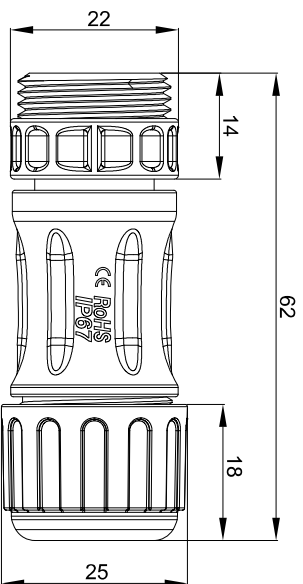
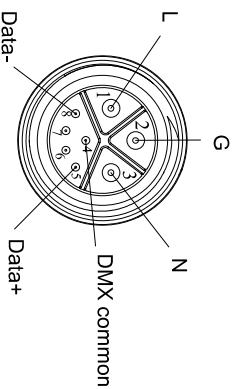


M19-3+5-Female



- Note:**
- Ingress protection: IP67
 - Temperature Range: -30°C to +90°C
 - Working voltage: 300V AC
 - Working current: 20A power / 3A data
 - Connector Insert: Nylon Plastic
 - Connector Contacts: Gold Plated Brass
 - Connector Over mold: Nylon Plastic
 - Connector O-ring: Silicon
 - ROHS & REACH compliant
 - UL Compliant

<p>© 2021 HARMAN Professional Denmark APS PROPRIETARY AND CONFIDENTIAL PROPERTY OF HARMAN. ALL RIGHTS RESERVED. HARMAN APPROVAL PENDING WITHOUT WRITTEN HARMAN APPROVAL</p>		<p>ROHS RESTRICTION OF HAZARDOUS SUBSTANCES ALL MATERIALS USED IN THIS PART MUST BE ROHS COMPLIANT. SUPPLIER SHALL PROVIDE A CERTIFICATE OF ROHS COMPLIANCE WITH THE FIRST ARTICLE.</p>	
Material	General linear tolerance	<p>FIRST ANGLE PROJECTION</p>	<p>Martin HARMAN Professional Denmark APS A4 DK 8200 Asnæs N</p>
General angular tolerance	General geometrical tolerance		
Color	Surface treatment		
<p>TITLE (Model in view) BULK CONNECTOR PD FEMALE</p>		<p>NO. MAR-91700017 REV A</p>	<p>NO. MAR-91700017 REV A</p>
SIZE A4	SCALE	UNIT mm	DO NOT SCALE DRAWING
		SHEET 1	OF 1



M19-3+5-Male

- Note:**
- Ingress protection: IP67
 - Temperature Range: -30°C to +90°C
 - Working voltage: 300V AC
 - Working current: 20A power / 3A data
 - Connector Insert: Nylon Plastic
 - Connector Contacts: Gold Plated Brass
 - Connector Over mold: Nylon Plastic
 - Connector O-ring: Silicon
 - RoHS & REACH compliant
 - UL Compliant

<p>© 2021 HARMAN Professional Denmark A/S PROPRIETARY AND CONFIDENTIAL PROPERTY OF HARMAN INTERNATIONAL COMPANY PUBLISHED WITHOUT WRITTEN HARMAN APPROVAL</p>		<p>Material</p>		<p>FIRST ANGLE PROJECTION</p>		<p>Martin HARMAN Professional Denmark A/S Industrivej 44 DK 8200 Århus N</p>	
<p>RESTRICTION OF HAZARDOUS SUBSTANCES ALL MATERIALS USED IN THIS PART MUST BE ROHS COMPLIANT. SUPPLIER SHALL PROVIDE A CERTIFICATE OF ROHS COMPLIANCE WITH THE FIRST ARTICLE.</p>		<p>General linear tolerance</p>		<p>Surface treatment</p>		<p>TITLE (Model in view) BULK CONNECTOR PD MALE</p>	
<p>General angular tolerance</p>		<p>General geometrical tolerance</p>		<p>Color</p>		<p>NO. MAR-91700018 REV A</p>	
<p>DIMENSIONS SHOWN ARE FOR REFERENCE AND INSPECTION ONLY. REFER TO CAD MODEL PROVIDED WITH THE DRAWING FOR OVERALL DEFINITION OF PART GEOMETRY.</p>		<p>Projected number</p>		<p>SIZE A4</p>		<p>SCALE mm UNIT mm DO NOT SCALE DRAWING</p>	
				<p>SHEET 1 OF 1</p>			